

Vertical Panels & Hanging Displays

beautifully versatile



Vertical Markets

Toys, Apparel, Giftware, Electronics, Bed & Bath,
Automotive, Housewares, Sporting Goods, Grocery &
Foods, Schools, and General Storage Solutions

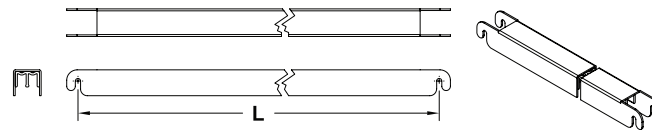
Open up your display and storage options with these innovative, easy-to-install solutions. Our vertical panels and hanging displays are designed to look smart and work beautifully within the Wire Weld Shelving System. Vertical grids let you display products from the front or rear. Punch panels give you more display mileage using moveable hooks, baskets, or shelves. Lightweight Masonite® doors keep inventory out of sight, but always in reach. And our Slatwall components offer both strength and flexibility for seasonal merchandising needs.

remarkably simple

Masonite® Doors Keep inventory close-at-hand but neatly out-of-sight with Wire Weld's Masonite door kits. Position doors and side panels above or below display units. Add your own graphics for branding or product identification. These semi-secure doors and door kits are also a cost-effective way to enhance any in-store display.

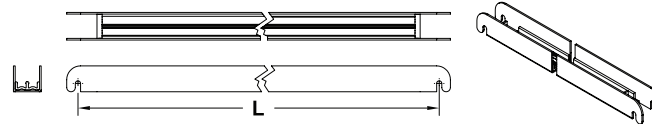
DIVIDER TOP

PART #	W
DIV. TOP-36	36"
DIV. TOP-48	48"



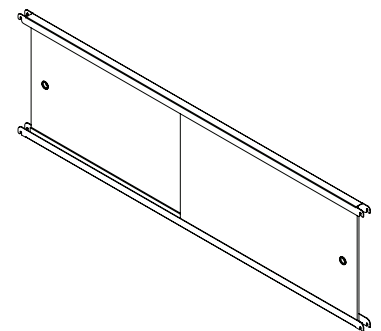
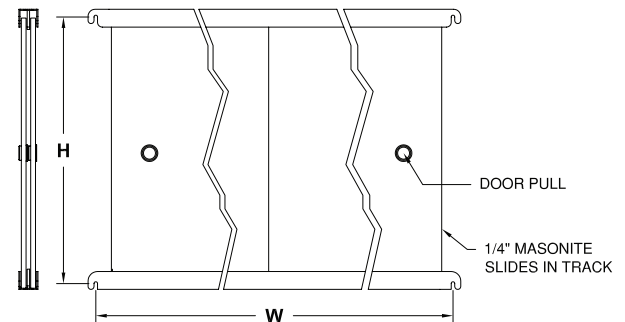
DIVIDED BOTTOM

PART #	W
DIV. BOTTOM-36	36"
DIV. BOTTOM-48	48"



MASONITE DOOR KITS

PART #	W	H	# OF COMPONENTS			
			1/4" MASONITE	DIV-TOP-36	DIV-BOTTOM-36	DOOR PULLS
MDK-3x2	36"	24"	2 @ 19" x 24"	1	1	2
MDK-3x3	36"	36"	2 @ 19" x 36"	1	1	2
MDK-3x4	36"	48"	2 @ 19" x 48"	1	1	2
PART #	W	H	1/4" MASONITE	DIV-TOP-48	DIV-BOTTOM-48	DOOR PULLS
MDK-4x2	48"	24"	2 @ 25" x 24"	1	1	2
MDK-4x3	48"	36"	2 @ 25" x 36"	1	1	2
MDK-4x4	48"	48"	2 @ 25" x 48"	1	1	2



Full Service Wire Weld is a full-service supplier offering store planning, logistics, installation supervision, custom and stock fixtures, and CAD drawings with 3D illustrations.

Support Our products are designed to be easy to assemble and provide years of maintenance-free performance. If you ever need assistance with Wire Weld systems, just give us a call.

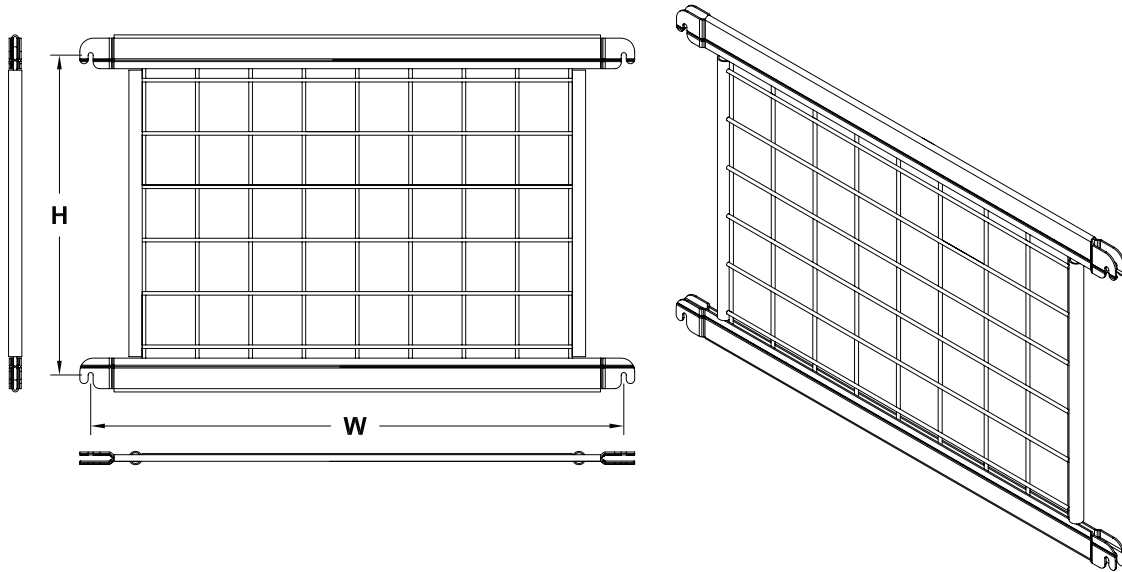
Custom Orders Available Vertical Panels & Hanging Displays can also be ordered in custom sizes that aren't included in the standard sizes above.

Accessories Give your wire shelving a contemporary, upscale appearance with our line of accessories. And like our shelving components, they're easy to assemble: valance band • kick base • side base • dividers • casters (and bases) • masonite doors/door kits • plastic end caps • gable bracket set • faux lipshelf • foot plate

BACKGRID WALLS

PART #	W	H
BGW-3624	36"	24"
BGW-3636	36"	36"
BGW-3648	36"	48"
BGW-4824	48"	24"
BGW-4836	48"	36"
BGW-4848	48"	48"

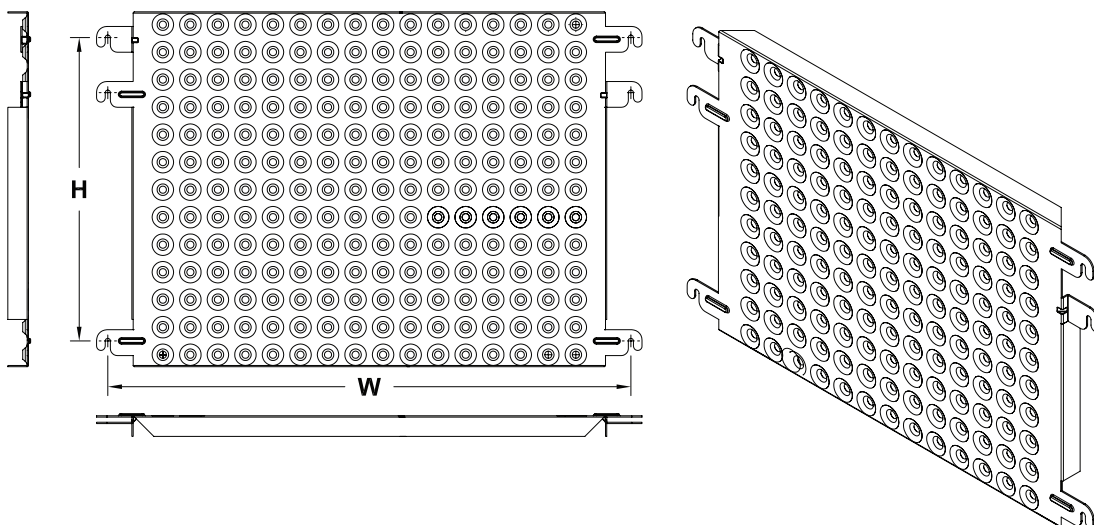
Backgrid Walls Display products from the front or rear with our signature open grid system. Wire Weld's vertical backgrids let you expand your merchandising options using simple hooks, hanging baskets, or shelves. No screws or other fasteners required. This easy-to-assemble system offers unique versatility.



PUNCH BOARD

PART #	W	H
PB-3628	36"	28"
PB-3636	36"	36"
PB-4828	48"	28"
PB-4836	48"	36"

Punch Boards Add more display options to solid-surface vertical panels with innovative punch panel designs. Install hooks, baskets, or shelves easily. Move them when your needs change. Match colors to our main grid system for a seamless look that's cost effective.

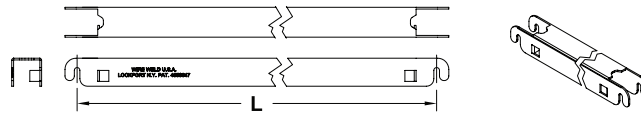


Slatwall Components Combine strength and flexibility with our popular slatwall components. Display products at various points within the grid—from the front, the rear, or at any two-inch increment in between. Change height or depth locations of displays, depending on seasonal or merchandise requirements.

Steel components are designed to surround and support the slatwall for significant strength and stability without screws or other fasteners. We also provide the components you need to make installations permanent.

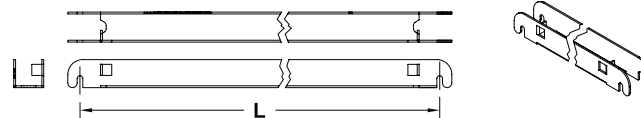
SLATWALL TOP

PART #	W
SW TOP-36	36"
SW TOP-48	48"



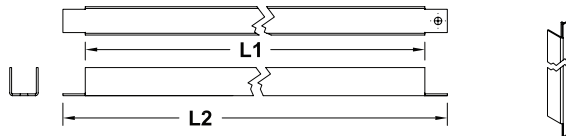
SLATWALL BOTTOM

PART #	W
SW BOT-36	36"
SW BOT-48	48"



SLATWALL SIDES

PART #	L1	L2
SW SIDE-47-1/2"	46"	47-1/2"
SW SIDE-35-1/2"	34"	35-1/2"
SW SIDE-23-1/2"	22"	23-1/2"



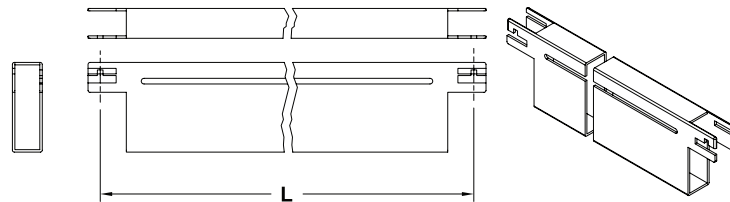
SLATWALL COMBO

PART #	L1
SW COMBO-36	36"
SW COMBO-48	48"



SLATBAR

PART #	L
SLATBAR-36	36"
SLATBAR-48	48"



INSET SLATWALL KITS

PART #	W	H	SLAT WALL	SW TOP-36	SW SIDE-47.5	SW COMBO-36	RB-36
ISW-3X4	36"	48"	1	1	2	1	2
ISW-3X8	36"	96"	2	1	4	2	4
ISW-3X12	36"	144"	3	1	6	3	6
ISW-4X4	48"	48"	1	1	2	1	2
ISW-4X8	48"	96"	2	1	4	2	4
ISW-4X12	48"	144"	3	1	6	3	6

NOTE:

Slatwall size for 3ft. kits listed is 34-1/4" x 47-11/16"

Slatwall size for 4ft. kits listed is 46-1/4" x 47-11/16"

